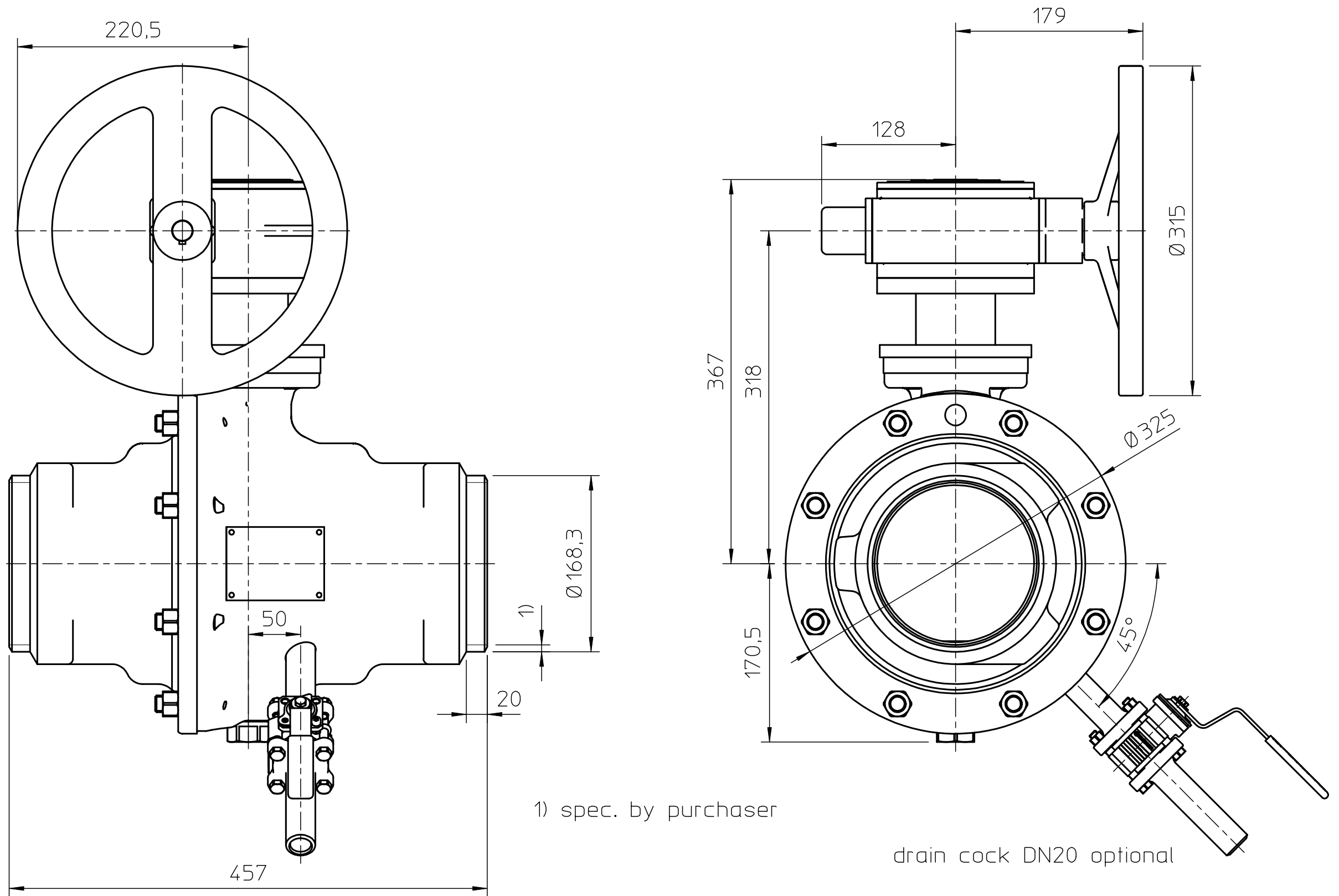


KLINGER ballostar ball valve type KHSV(W) 150 VII-AF(799)-KFC PN25, with worm gear type AUMA GS63.3/H.



1) spec. by purchaser

drain cock DN20 optional

total weight: ca. 87kg

drw.: 20.10.10 SA

wOH31780-1